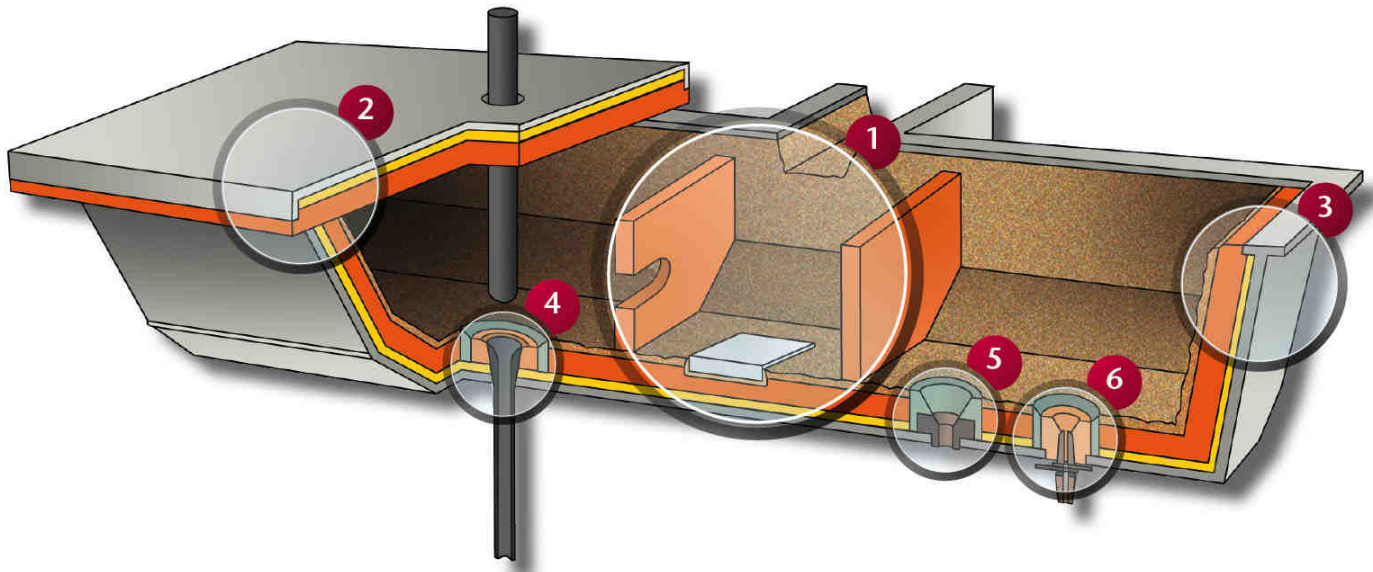




# TUNDISH



## Applications

1	2	3	4	5	6
Impact area	Tundish cover	Sidewall	Submerged nozzle	Calibrated nozzle	Slide gate system
Impact plate	Insulating mixes	Castable mix for safety lining	Mortar for sealing nozzle	Ramming around well block	Mortar for sealing nozzle
Skimmer	Castable mixes	Repairing mix for safety lining	Precast well block	Jointing cement	Precast well block
Castable mixes for sealing plate	Precast cover	Precast safety lining	Ramming mix around well block	Ramming mix over nozzle	Ramming mix around well block
Plastic mortar for sealing plate	Cement for insulating lining	Repairing cement for shrinking	Mortar for sealing nozzle		
Sticking cement		Cement for insulating lining			



## Our Products

Area	Application	Product Name
1) Impact aera	One shot impact plate in precast mix	Refravibre 449
	Long life impact plate in high alumina precast mixes	Refravibre 870, S220
	Precast skimmers in precast mix	Refravibre 449, 359/3
	Castable mixes for sealing impact plate	Beton 86 B/P, 96 A
	Plastic mortar for sealing impact plate	PR 110 CA, 116 CA
	Cement for sticking impact plate and skimmer	Refracol 6 , 6 CC
2) Tundish cover	Castable mixes for working lining	Refravibre 59 SR, 61 SR
	Half insulating castable mix for wear lining	Beton 770
	Cement for sticking insulating lining	Refracol 12 A
3) Sidewall	Castable mixes for permanent lining	Refravibre 61 SR, 65 SR
	Repairing plastic mortar	PR 110 CA, PR 116 CA
	Repairing cement for shrinking aera	Refracol 6, 6 CC
	Cement for sticking insulating lining	Refracol 12 A
4) Submerged nozzle	Air setting mortar for sealing nozzle in the well block	Refracol 6 CC
	Hot setting mortar for sealing nozzle	Refracol 620, 620 A
	Mastic for protecting down part of nozzle	Refracol 25 Bis
	Ramming mix for sealing well block	Refracol 33 A4, 37 A4
	Precast well block	Refravibre 449
5) Calibred nozzle	Ramming mix around calibred nozzle	Refracol 32 A4
	Air setting cement under calibred nozzle	Refracol 6, 6 CC
	Ramming mix over calibred nozzle	Mixomag 188, 192
6) Slide gate system	Air setting mortar for sealing nozzle in the well blocko	Refracol 6 CC
	Hot setting mortar for sealing nozzle	Refracol 620, 620 A
	Ramming mix around well block	Refracol 33 A4, 37 A4
	Ramming mix for sealing nozzle without well block	Refracol 38 A4, 37 A4