



HIGH PERFORMANCE REFRACTORIES FOR STEEL INDUSTRY



For over 70 years, the company REFRACOL Dupont et Cie has been giving industrialists the support they need and taking up all the challenges laid down. The **performances** of its unshaped refractory products and its sense of **service** have brought the Company REFRACOL Dupont et Cie **international renown**. REFRACOL is still today engaged in helping bring about technical **improvements** which will be **tomorrow's industrial successes**.



Our Products

Castable Mixes



Dense or insulating castables mixes. Normal, low or ultra low cement castable mixes. Vibrating, gunning or self flowing castable mixes.

References:

BETON 88, 96 A, 770, 9400 SLCF | **REFRACOL CAST** 550/3P, 552
THIXOMAG 90, 494 EF, 472 AEF | **RETAG** 261, 391
REFRAVIBRE 465 RTC, 483 RTC, 99 DF | **CASTALONE** S712, C496...

Cements



Air setting, hot setting, heat setting cements, mastics, glues, coating, mortars, patches and acid-resistant cements.

References:

REFRACOL 3, REFRACOL 2, REFRACOL 6, REFRACOL 6A72,
 REFRACOL 7, REFRACOL 14, REFRACOL 12A, REFRACOL 20,
 REFRACOL 27, REFRACOL 26 ASG/DP, REFRACOL 29 DK,
 REFRACOL 620 A...

Precast Shapes



Precast pieces dried up to 450 °C. Small or medium serial productions, 10 kg to 20 tonnes weight unit. Precast pieces designed from specifications and from drawing of the customers. Refractory pieces manufactured from our high performance castable mixes selected to withstand according to demand thermal shock, high temperatures, chemical attack and/or abrasion. Our **FibroCeram**® quality is requested in case of application with mechanical shocks and high temperature.

Applications:

Well block, heart of roof, monolithic cover, crucible, weir, burner block, sleeve, poring hole, poring spout, launder, runner, impact tile, tundish, basket, foundry ladle...

Ramming Mixes



Dry or wet ramming mixes, high magnesia or high alumina ramming mixes with ceramic or chemical setting.

References:

REFRACOL 33A4, 37A4, 38A4 | **CALOREF** 94, TSF, 49G
PR 288, PR 290 | **REFRAM** 487, 492, 545H | **MIXOMAG** 55, 192, 291...

Our Lab

Products formulated from following raw materials:

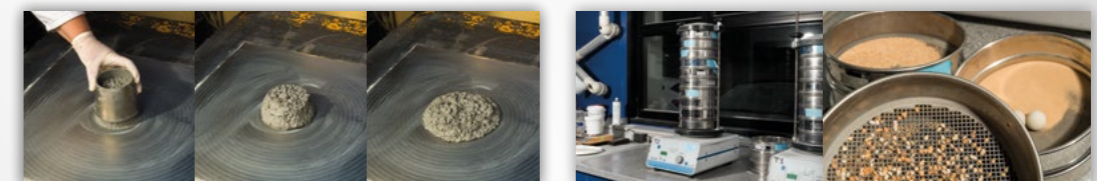
Silica, fireclay, kerphalit, andalusit, chrome sand, mullit, forsterit, magnesia, bauxit, fused alumina, tabular alumina, spinel, silicon carbide, zircon and graphite.

And composed of the following chemical components:

Al₂O₃, SiO₂, MgO, ZrO₂, SiC, C



REFRACOL is constantly listening to its customers and their most demanding requirements. Every day, our research laboratory develops new formulas to meet the specific refractory needs of each customer. Quality controls are carried out daily to ensure that the products we deliver meet your expectations.

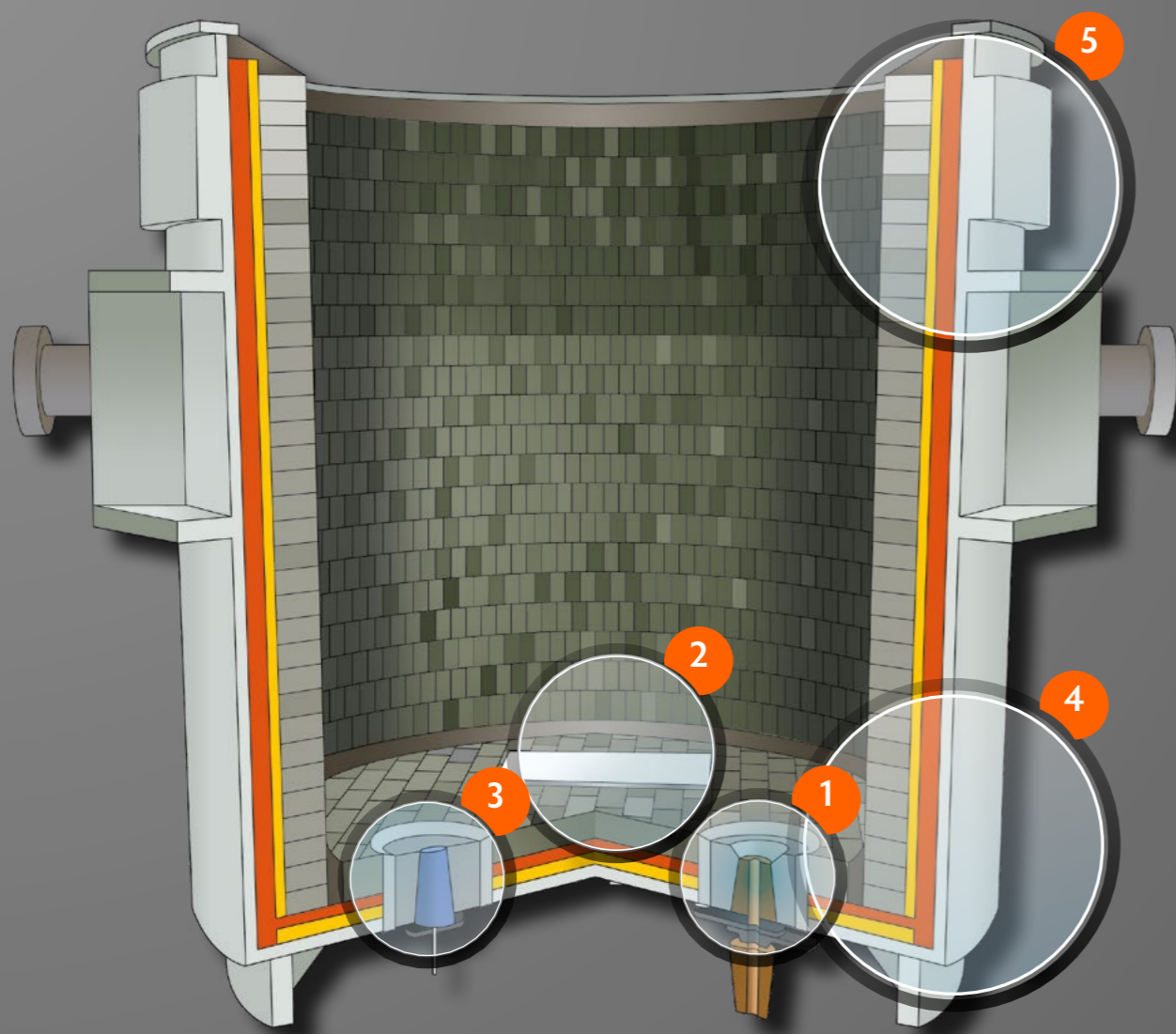


Our Unshaped Product List

Product Name	Main components	Max. Grain Size	%	Tool / use
Pasty ready to use mixes for sealing porous plug and collector/inner nozzle				
REFRACOL 26 ASG/DP	Bauxite + graphite	0.5 mm	74 % Al ₂ O ₃ / 6 % C	Steel ladle / bauxite well block
REFRACOL 29 DK	Tabular alumina + graphite	0.3 mm	82 % Al ₂ O ₃ / 5 % C	Steel ladle / high alumina well block
REFRACOL 29 B	Tabular alumina	0.3 mm	93 % Al ₂ O ₃	Steel ladle / alumina spinel well block
REFRACOLS 478 G2	Alumina + spinel + graphite	1 mm	79 % Al ₂ O ₃ / 14 % MgO	Steel ladle / alumina spinel well block
Pasty ready to use mixes for jointing slide gate system and for sealing calibrated nozzles				
REFRACOL 6 CC	Bauxite	0.5 mm	74 % Al ₂ O ₃	Tundish / submerged nozzle
REFRACOL 620 P9	Tabular alumina	0.3 mm	88 % Al ₂ O ₃	Tundish / nozzle
REFRACOL 620 A P9	Tabular alumina + chromoxyd	0.3 mm	86 % Al ₂ O ₃ / 2 % Cr ₂ O ₃	Tundish / nozzle
REFRACOL 620 P6	Tabular alumina	0.3 mm	88 % Al ₂ O ₃	Steel ladle / slide gate joint
REFRACOL 620 A P6	Tabular alumina + chromoxyd	0.3 mm	86 % Al ₂ O ₃ / 2 % Cr ₂ O ₃	Steel ladle / slide gate joint
REFRACOL 286 AC PL14	Tabular alumina + spinel	0.3 mm	84 % Al ₂ O ₃ / 3.4 % Cr ₂ O ₃	Steel ladle / slide gate joint
Pasty ready to use cements for jointing bricks				
REFRACOL ATAC 30	Silicate	0.04 mm	64 % SiO ₂	To stick insulation material
REFRACOL 12 A	Silico-aluminate	0.5 mm	77 % SiO ₂	To stick insulation material and to joint light bricks
REFRACOL 3	Silica quartz	0.3 mm	86 % SiO ₂	For safety lining / low alumina bricks
REFRACOL 8 A	Andalusite	0.2 mm	47 % Al ₂ O ₃	For safety lining / alumina bricks
REFRACOL BLACK 46	Andalusite - bauxite	0.3 mm	46 % Al ₂ O ₃	For jointing light and dense bricks
REFRACOL 6	Bauxite	0.5 mm	62 % Al ₂ O ₃	For safety lining / alumina bricks
REFRACOL 6 A72	Bauxite	0.5 mm	72 % Al ₂ O ₃	Ladles / for working lining
REFRACOL 7	Chromite	0.6 mm	28 % Cr ₂ O ₃ / 6 % MgO	Steel ladle - BOF / for jointing MgO bricks of safety lining
REFRACOL 27	Chromite	0.5 mm	37 % Cr ₂ O ₃ / 7 % MgO	RHOB / for jointing working lining - MgO-Cr bricks
REFRACOL 977 WPT	Alumina	0.8 mm	77 % Al ₂ O ₃	Torpedo ladle / for working lining bricks
REFRACOL 6 T	Tabular alumina	0.5 mm	81 % Al ₂ O ₃	Ladles / for working lining
Repair patches and protective coating				
PR 110	Silico- aluminate	4 mm	30 % Al ₂ O ₃	Cold repair of permanent lining
PR 116 CA	Bauxite	6 mm	59 % Al ₂ O ₃	Cold repair of permanent lining
REFRACOL MI4	Tabular alumina	0.3 mm	90 % Al ₂ O ₃	Steel ladle / to hot repair inside of well block
REFRACOL 306 T1	Tabular alumina	1 mm	82 % Al ₂ O ₃	Ladles & tundish / to repair cracks in permanent lining
REFRACOL 692-1 H	Tabular alumina	1 mm	92 % Al ₂ O ₃	Ladle EAF / to repair spout and pouring chennal
REFRACOL 727 SB	Chromite	0.5 mm	46 % Cr ₂ O ₃ / 9 % MgO	Steel ladle - RHOB vessel / compressive joint
REFRACOL ATAC 3050	Silco-aluminate	0.05 mm	50 % Al ₂ O ₃	Steel ladle / coating anti-decarburization of MgO-bricks
REFRACOL PULV4	Kaolinite	0.05 mm	38 % Al ₂ O ₃	Induction furnace / coating anti scraps sticking
REFRACOL 620 V	Tabular alumina	0.3 mm	88 % Al ₂ O ₃	Isostatic parts / anti-sticking coating

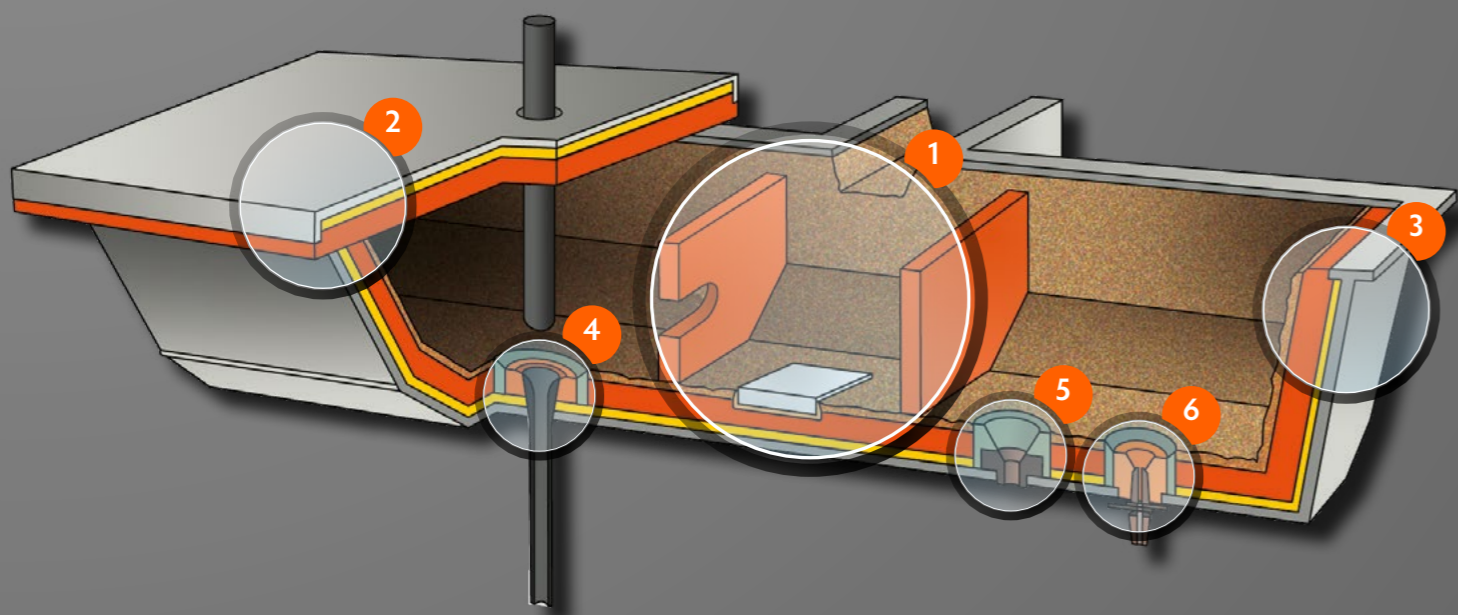
Our Unshaped Product List

Product Name	Main components	Max. Grain Size	%	Tool / use
Ramming mixes for blocking precasts and bricks lining				
REFRACOL 33 A4	Silica quartz	0.3 mm	86 % SiO ₂	Tundish /for blocking well block
REFRACOL 38 A4	Kerphalite	2 mm	48 % Al ₂ O ₃	Tundish /for blocking nozzle and well block
REFRACOL 37 A4	Chromite	1 mm	30 % Cr ₂ O ₃ / 26 % MgO	Tundish /for blocking nozzle and well block
PR 280	Bauxite	6 mm	82 % Al ₂ O ₃	Steel ladle / bottom and well block
PR 288	Tabular alumina - bauxite	6 mm	86 % Al ₂ O ₃	Steel ladle / bottom and well block
PR 290	Tabular alumina	7 mm	92 % Al ₂ O ₃	Steel ladle / bottom, well block and impact
REFRAM 545 H	Kerphalite	5 mm	45 % Al ₂ O ₃	Tundish / casting box and impact plate
MIXOMAG 55	Chromite	6 mm	15 % Cr ₂ O ₃ / 61 % MgO	RHOB / bottom of lower vessel
MIXOMAG 192	Magnesia	5 mm	92 % MgO	Tundish / CNC - EAF / EBT hot repair
MIXOMAG 785 H	Magnesia	6 mm	88 % MgO	Tundish / dry mix for CNC taphole & for blocking SEN
Backfilling mixes and blocking mixes				
CALOREF 49 G	Graphite - silica	1 mm	49 % C / 34 % SiO ₂	Steel ladle / backfill anti-decarburization of MgO-bricks in slag zone
CALOREF 94	Silica	1 mm	94 % SiO ₂	Steel ladle / backfill in below side wall
CALOREF 88 G12	Silica - graphite	0.3 mm	83 % SiO ₂ / 12 % C	Steel ladle / backfill in slag zone
REFRAM 545 H	Kerphalite	5 mm	45 % Al ₂ O ₃	Tundish / backfill for pouring precasts
MIXOMAG 785 H	Magnesia	6 mm	88 % MgO	EAF / backfilling EBT parts
Bi-component mixes for fast repair - without drying - without water addition				
REFRAVIBRE H 871	Mullite	5 mm	71 % Al ₂ O ₃	Repair permanent lining, cover lining or burner block
REFRAVIBRE H 882	Bauxite	6.3 mm	82 % Al ₂ O ₃	Repair of working lining by casting
REFRAVIBRE H 882T	Bauxite	6.3 mm	82 % Al ₂ O ₃	Repair of working lining by trowelling
REFRAVIBRE H 880K	Tabular alumina + SiC	5 mm	81 % Al ₂ O ₃ / 10 % SiC	Repair of spout and runner by casting
REFRAVIBRE H 800 KT	Tabular alumina + SiC	5 mm	81 % Al ₂ O ₃ / 10 % SiC	Repair of spout and runner by trowelling
REFRAVIBRE H 894	Tabular alumina	6 mm	94 % Al ₂ O ₃	Repair of working lining by casting
Casting, self-flowing and gunning mixes				
BETON 886 P	Kerphalite - bauxite	5 mm	65 % Al ₂ O ₃	Torpedo ladle / gunning - trowelling permanent lining
BETON 86 B/P	Bauxite	6 mm	81 % Al ₂ O ₃	Working linings / to repair by gunning or by trowelling
BETON 770	Chamotte	10 mm	55 % Al ₂ O ₃	Cover / insulating covers - 1,500 °C in service
BETON 955 D	Bauxite	6 mm	81 % Al ₂ O ₃	Ladle / for blocking top ladle with fast restart in service
BETON 9400 SLCCF	Tabular alumina	6.7 mm	96 % Al ₂ O ₃	Steel ladle / for blocking well block - EAF / for blocking heart of roof
BETON 9405	Tabular alumina	6.7 mm	95 % Al ₂ O ₃	RHOB / for blocking safety bottom in RHOB lower vessel
REFRAVIBRE 461 RTC	Bauxite - chamotte	6 mm	61 % Al ₂ O ₃	Steel ladle and tundish / permanent lining
REFRAVIBRE 465 RGE	Andalusite - bauxite	6 mm	65 % Al ₂ O ₃	Covers / working lining of incurved cover
REFRAVIBRE 465 RTC	Andalusite - bauxite	6 mm	65 % Al ₂ O ₃	Steel ladle and tundish / permanent lining
REFRAVIBRE BX 388 F	Bauxite	10 mm	83 % Al ₂ O ₃	Ladles / for blocking top ladle
CASTALONE S712 F	Alumina- spinel	6 mm	93 % Al ₂ O ₃ / 2 % MgO	EAF / hot repair EBT taphole
CASTALONE C496	Tabular alumina	3 mm	96 % Al ₂ O ₃	EAF / self-flowing mix for blocking heart of roof
THIXOMAG 472 AEF	Fused magnesia - chromoxyd	6 mm	72 % MgO / 11 % Cr ₂ O ₃	RHOB / to repair working lining of lower vessel

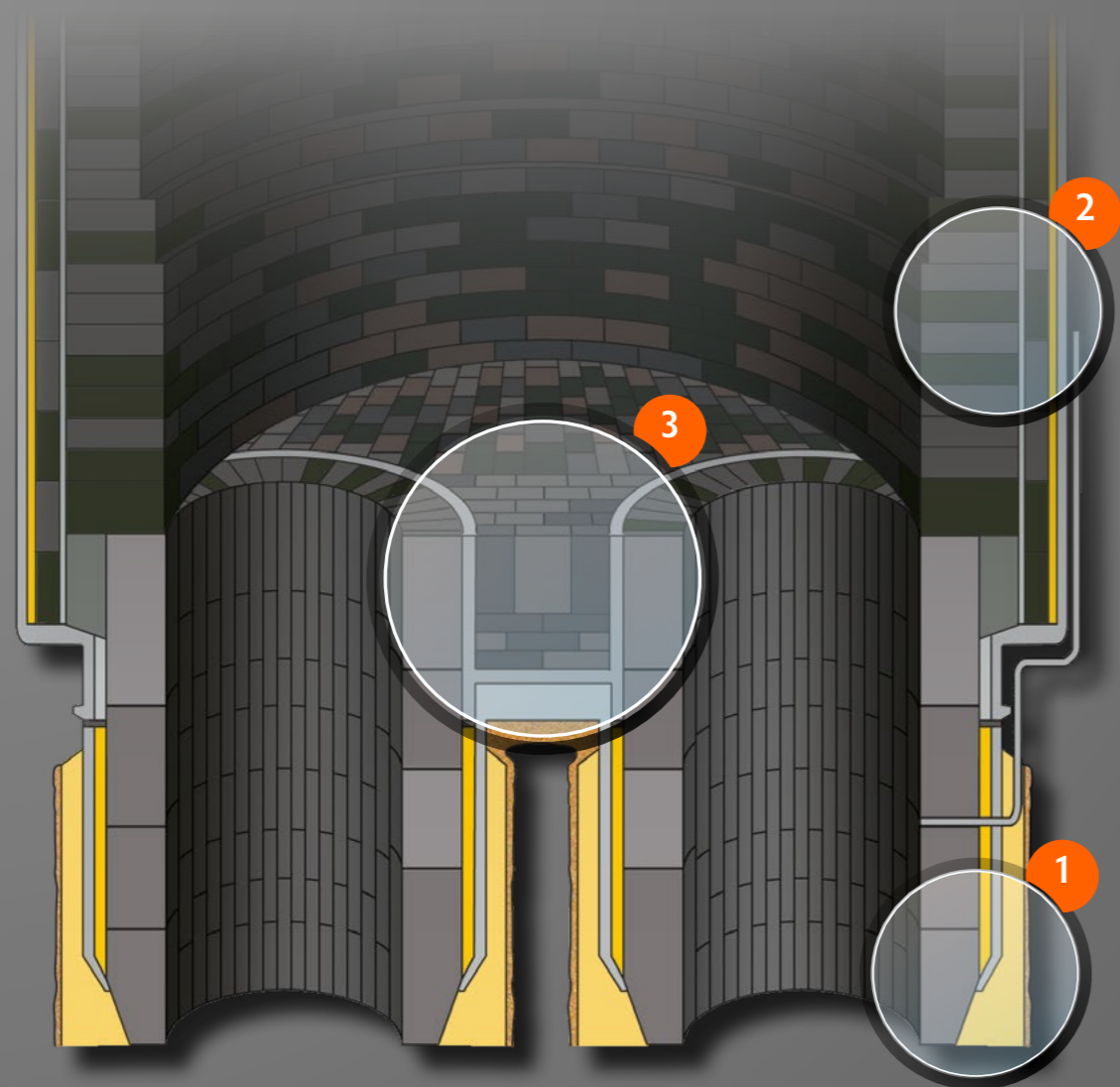


Area	Application	Products
1 Pouring area	Mortar for sealing Intern nozzle	Refracol 29 DK, 29 SDG1, S 478 G2
	Mastic cement for hot repair Intern nozzle	Refracol MI 4
	Mortars for slide gate assembly	Refracol 620, 620 A, 286 AC
	Well block in tabular alumina precast mix	Refravibre 99 D
	Well block in precast Spinel-alumina mix	Refravibre S390
	Tabular alumina castable mix around well block	Beton 9400, 940 SLC FF
	Spinel - alumina self flowing mix around well block	Castalone S 712 F
2 Impact area	Spinel-alumina precast impact tile	In Refravibre SM 692
	Self flowing castable mix for blocking impact tile	Castalone S712 F
	Dry high MgO mix for hot repair	Mixomag 785 H
	High alumina jointing mortars for HA and AMC bricks	Refracol 6, 6 A72, 6T
3 Purging area	Well block in high alumina /spinel-alumina precast mix	In Refravibre 99 D / S390
	High alumina castable mixes for blocking well block	Beton 9400, 96 A
	HA hot setting ramming mix for blocking well block	Refram 492
	HA heat setting mortars for sealing porous plug	Refracol 29 B, 26 ASG DP
	HA hot setting mortars for sealing porous plug	Refracol 620, 620 A
	Dry high MgO mix for hot repair	Mixomag 785 H
4 Sidewall lining	HA castable mixes for blocking bottom of wall lining	Beton 955 D, Refravibre 483 RTC
	LC 65 % Castable mix for permanent lining	Refravibre 465 RTC
	Spinel - alumina castable mix for blocking bottom	Castalone S 712 F
	HA ramming mixes for blocking bottom of wall lining	PR 287, PR 288, PR 290
	Backfilling mixes between working/safety lining	Caloref 94, Caloref 88 G12
	85% MgO Backfilling mix between working/safety	Calomag 85
	High alumina jointing mortars for working lining	Refracol 6 A72, 6T
	Alumina air setting mortars for jointing safety bricks	Refracol 6, 8A, 6 A72
	Air setting cement for jointing insulating bricks	Refracol 12 A
	Plastic mortar for repairing safety lining	PR 116 CA
	Bi-component trowelling mix for repair permanent lining	Refravibre H 882 T
	Cements for filling cracks in permanent lining	Refracol 6, 306 T1
5 Slag area	Castable mixes for blocking the top of working lining	Beton 955 D, Refravibre 483 RTC
	Top ladle blocks in metal- ceramic hybrid material	In FibroCeram
	Powder mix for Filling back working lining	Caloref 88 G12
	Chromite air setting mortar for jointing safety bricks	Refracol 7

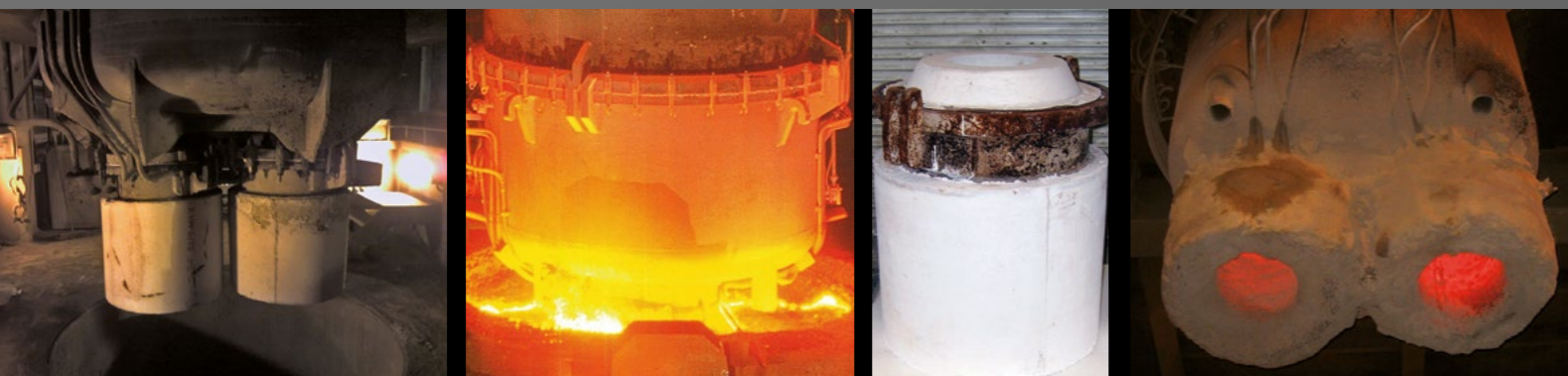


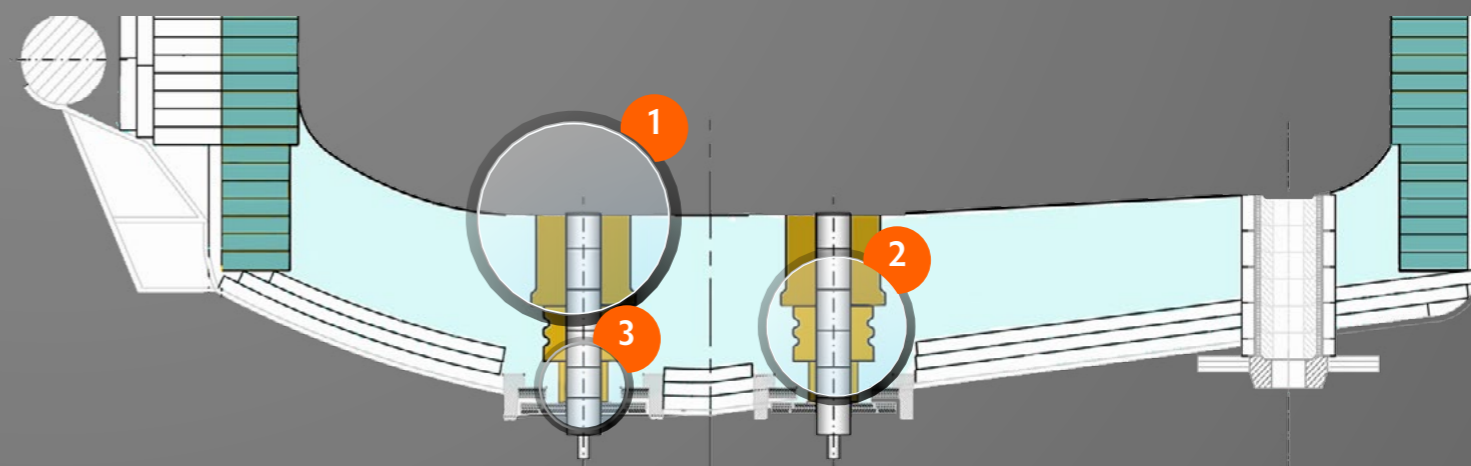
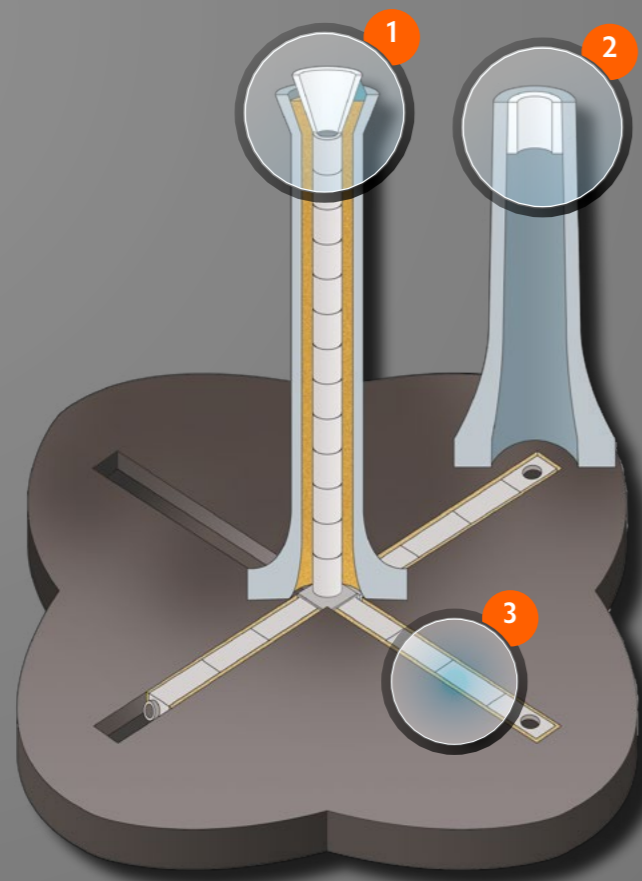


Area	Application	Products
1 Impact area	One shot impact plate in precast mix	In Refravibre 445 RTC
	Long life impact plate in high alumina precast mixes	In Refravibre 870, S220
	Precast skimmers in precast mix	In Refravibre 445 RTC
	Castable mixes for sealing impact plate	Beton 86 B/P, 96 A
	Plastic mortar for sealing impact plate	PR 110 CA, 116 CA
	Cement for sticking impact plate and skimmer	Refracol 6, 6 CC
	Bi-component castable mix for impact repair	Refravibre H882
2 Tundish cover	Castable mixes for working lining	Refravibre 465 RTC
	Half insulating castable mix for wear lining	Beton 770
	Cement for sticking insulating lining	Refracol 12 A
	Precast cover without metal shell	In FibroCeram RXO
3 Sidewall and bottom	Castable mixes for permanent lining	Refravibre 465 RTC
	Repairing plastic mortar	PR 110 CA, PR 116 CA
	Cements for filling cracks in permanent lining	Refracol 6, 6 CC
	Cement for sticking insulating lining	Refracol 12 A
	Bi-component repairing mix	Refravibre H882, H882T
	Blocking mix for precast cuve	Caloref TSF, Refram 545H
4 Submerged nozzle	Air setting mortar for sealing nozzle in the well block	Refracol 6 CC, 29B
	Hot setting mortar for sealing nozzle	Refracol 620, 620 A
	Mastic for protecting down part of nozzle	Refracol 25 Bis
	Ramming mix for sealing well block	Refracol 33 A4, 37 A4
	Precast well block	In Refravibre 445 RTC
	Glue for stick insulation parts around nozzle	Refracol 12 A
5 Calibred nozzle	Ramming mix around calibrated nozzle	Refracol 38 A4, 37 A4
	Air setting cement under calibrated nozzle	Refracol 3, 13
	Ramming mix for form ther poring cone	Mixomag 785 H, 192
6 Slide gate system	Air setting mortar for sealing nozzle in the well block	Refracol 6 CC
	Hot setting mortar for sealing nozzle	Refracol 620, 620 A
	Precast well block	In Refravibre 445 RTC
	Ramming mix around well block	Refracol 33 A4, 37 A4
	Ramming mix for sealing nozzle without well block	Refracol 38 A4, 37 A4



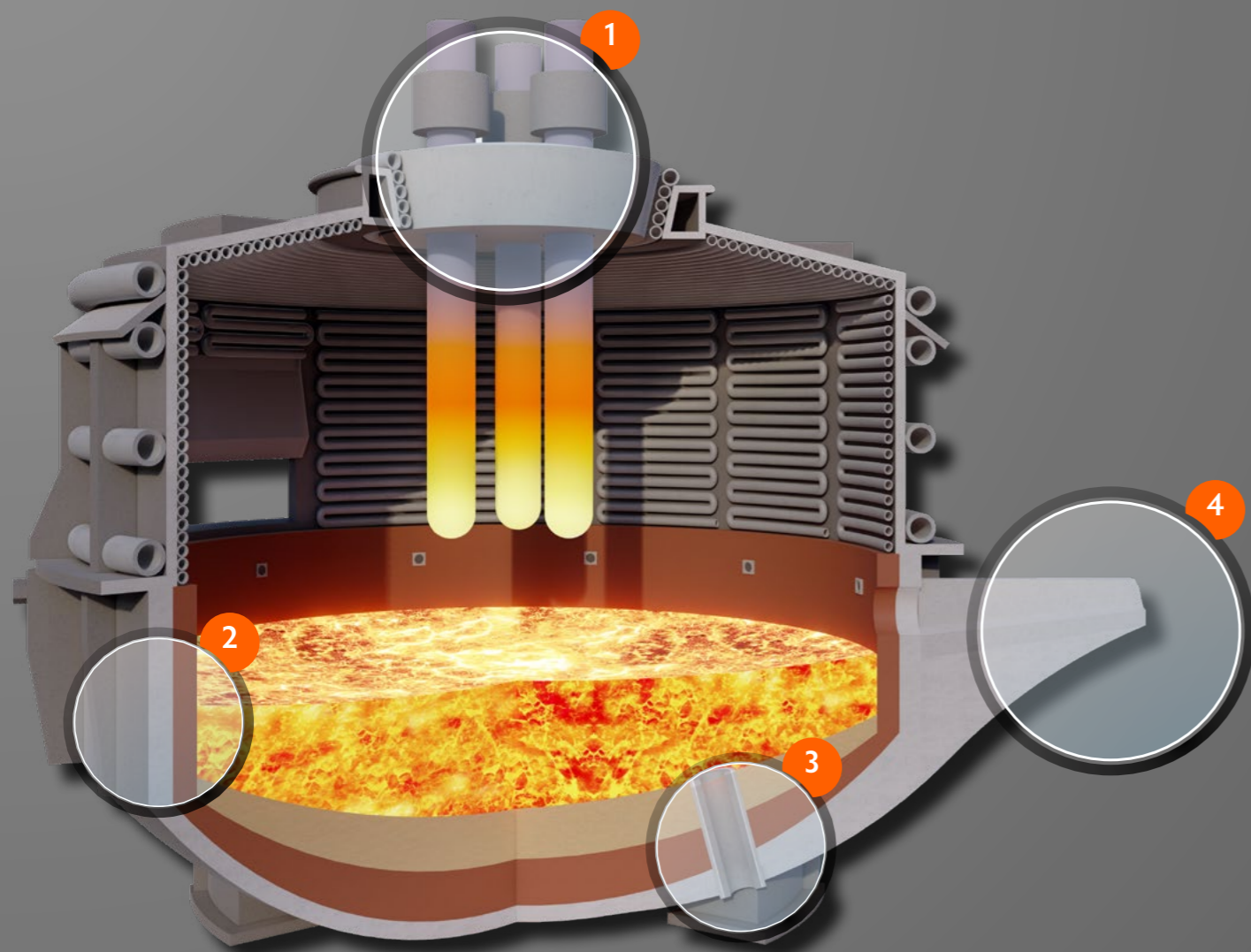
Area	Application	Products
1 Snorkel	ULC tabular alumina castable mix for snorkel lining	Refravibre 99 D
	Self flowing version of ULC tabular alumina castable mix	Castalone 99
	10 mm grading tabular alumina castable mix	Beton 9400/10
	3 mm grading self flowing mix in backside of bricks	Beton 9904/3
	Heat setting mortar for MgO-Cr bricks	Refracol 27
	Backside ramming mix for blocking sleeves of bricks	Mixomag 55
2 Wall Side of Lower Vessel	Heat setting mortar for MgO-Cr bricks	Refracol 27
	High magnesia castable mix for repairing working lining	Thixomag 472 AEF
	Ramming mix between working/safety linings	Refracol 727 SB
	Anti sticking mix for bricks between upper/lower vessels	Refracol 727 SB
3 Bottom of lower vessel	High alumina castable mix for working lining	Refravibre 99 DF
	ULC high magnesia mix for repairing working lining	Thixomag 472 AEF
	High alumina castable mix for safety lining	Beton 9405
	Heat setting mortar for MgO-Cr bricks	Refracol 27
	Hot setting ramming mix for blocking MgO-Cr bricks	Mixomag 55
	Electrofused MgO mix for protective lining	Thixomag 472 AEF /3





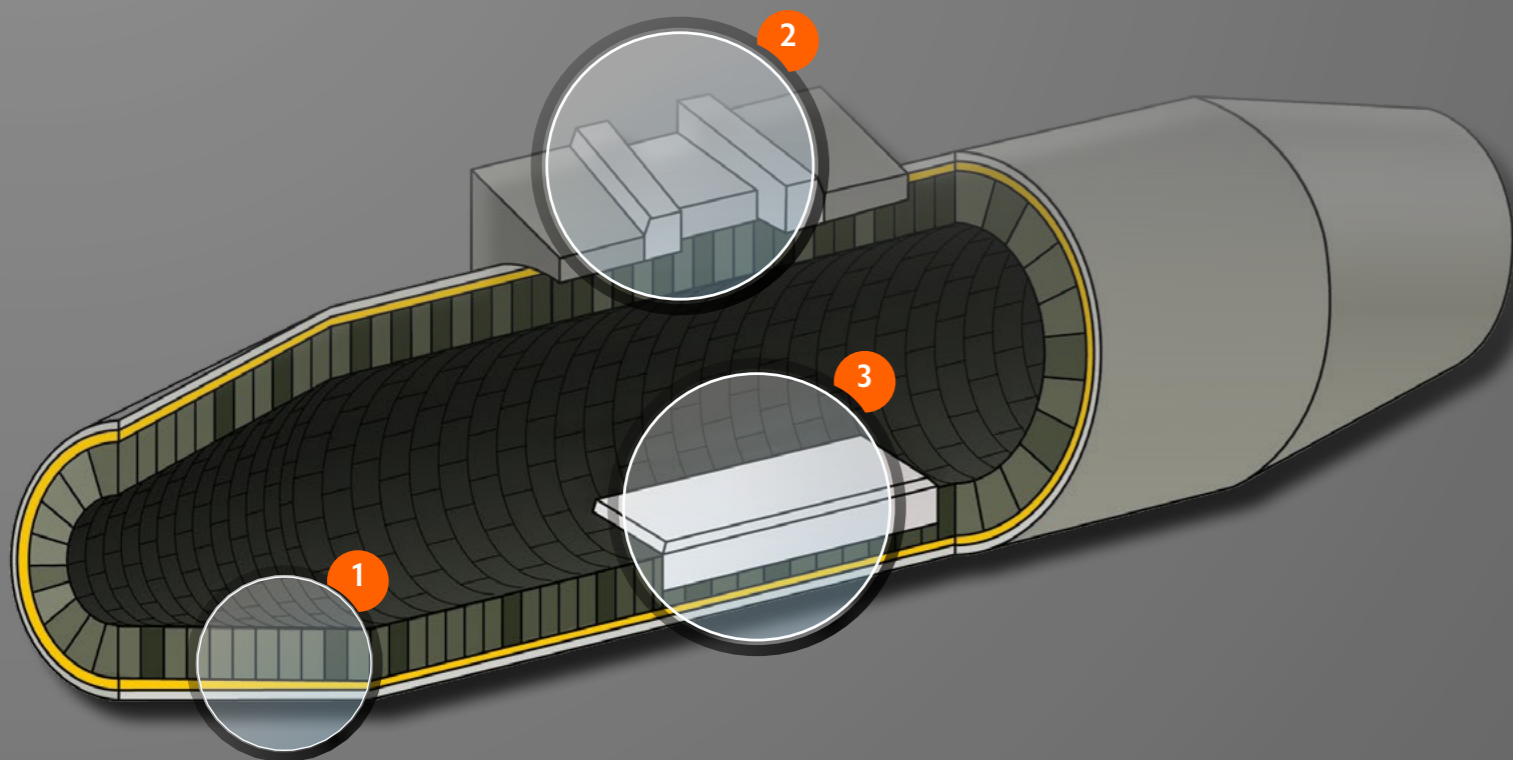
Area	Application	Products
1 Vertical pipe of bottom pouring	Jointing cements for bricks of pipe	Refracol 13, 3
	Jointing cements for bricks of pipe	Refracol 25, 25 GA1
	Ramming mix for blocking the top of pipe	Refracol 33 A4, 713
	Mastic for blocking the top of pipe	Refracol 25 Bis
2 Ingot mould	Cement for sticking thermal insulating material	Refracol 236
3 Horizontal channels of bottom pouring	Mortar for jointing bricks of channels	Refracol 25
	Graphite Mortars for jointing bricks of channels	Refracol 25 GA1, 25 GA2
	Cement for jointing bricks of channels	Refracol 13
	Cold coating for the horizontal channel	Refracol LGS 5
	Hot coating for the horizontal channel	Refracol MI 3 + LXH

Area	Application	Products
1 Upper Sleeve	DC EAF Hearth Sleeves	Thixomag 494 EF, 90
2 Lower Sleeve	DC EAF Hearth Sleeves	Thixomag 494 EF, 90
3 Small Lower Sleeve	DC EAF Hearth Sleeves	Thixomag 494 EF, 90



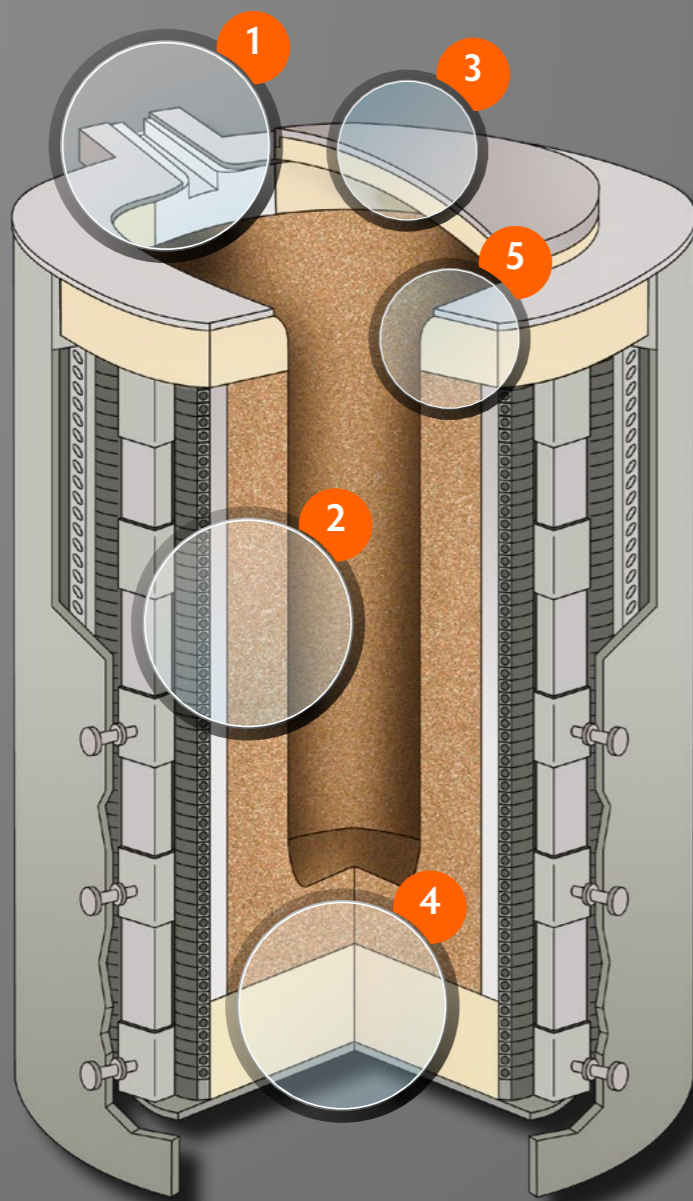
Area	Application	Products
1 Heart of Roof	Bauxite monolithic precast roof	In Refravibre 870, 890
	Tabular alumina monolithic precast	In Refravibre 910S, 930
	High alumina castable mixes for blocking heart of roof	Beton 9400 SLCC FF
	High alumina castable mix for blocking electrode sleeves	Beton 9400 ISB
	Self flowing castable mix for sealing heart of roof	Castalone C496
	Ramming mix for blocking electrode sleeves	PR 290, Refram 492
	Precast electrode sleeves	in Refravibre 870, 890
	Jointing cement for bricks of roof	Refracol 6 A72, 6 T
2 Sidewall	Magnesia ramming mixes for working lining	Mixomag 55, 192
	Backfilling mix between safety and working linings	Calomag 85
	Jointing cements for safety bricks	Refracol 7, 6 A72, 8
	Sticking glues for insulating material	Refracol 12 A, ATAC 30
	Hot repair MgO gunning mix for upper side wall	Remag 391
3 EBT	Ramming mixes for blocking EBT bricks	Mixomag 192, 55
	Hot repair mix for end of EBT	Mixomag 192
	Self flowing mix to hot repair end of EBT	Castalone S 712 F
4 Spout runner	Backfilling mix for blocking the spout runner	Caloref 94
	MgO dry mix for hot repairing spout runner	Mixomag 785 H
	High alumina - SiC precast taphole	In Refravibre K780
	High alumina - chromoxyd Precast taphole	In Refravibre 382 A12
	Bi-component mix for repair spout runner	Refravibre H894
	High alumina - SiC precast spout runner	In Refravibre K780
	High alumina - chromoxyd precast spour runner	In Refravibre 382 A12
Hot repair MgO gunning mix for upper side wall	Remag 391	





Area	Application	Products
1 Cylinder	Jointing cement for working lining	Refracol 6T P10, 977 WPT
	Jointing cement for permanent lining	Refracol 6 A72
	Jointing cement for safety lining	Refracol 8, 8 A
	Glue for sticking insulating material	Refracol 12 A
2 Outlet	Gunning mix for outside parts around outlet	Beton 886 P, 88 P
	Gunning mix for cover	Beton 886 P, 770 P
	Castable mix for outlet	Refravibre 461 RTC
	Alumina-SiC castable mix for outlet	Refravibre K 780
	Reinforcing plates around outlet	In FibroCeram
3 Conic part and Mirror	Castable mix for mirror area	Beton 886 P, 88 P
	Jointing cement for working lining	Refracol 6T P10, 977 WPT
	Jointing cement for permanent lining	Refracol 6 A72
	Jointing cement for safety lining	Refracol 8, 8 A, 6A72
	Glue for sticking insulating material	Refracol 12 A





Area	Application	Products
1 Spout or Launder	High alumina ramming mix	PR 290
	Precast monolithic spout	Refravibre 870, K 780
	Castable mix for spout repair	Beton 86 B/P
	Dry mix for spout hot repair	Mixomag 785 H
	Patching material for spout cold repair	Refracol 692-1 H
	Plastic mortars for spout cold repair	PR 110/2, 110, 116 CA
	Anti-sticking mortar and coating	Refracol 25 BIS, 301
	Anti-sticking protective coating for scrap	Refracol PUL V4
2 Side wall	Spinel-alumina dry mixes for stainless steel melting	Induram S82
	Special induction castable mixes grading 3 or 1 mm	Beton 9410/3, 9410/1
	Special induction castable mixes grading 2 mm	Electrolut 90
	Self flowing mixes for inductor lining grading 3 or 1 mm	Castalone C496, C496/1
	Glues for mica paper	Refracol 2, ATAC 30
	Jointing cements for crucible bricks	Refracol 6 T, 620 P9
	Patching material for repair	Refracol 692-1 H, MI4
	Bi-component repairing mix	Refravibre H882 T
3 Cover	Thermal insulating castable mixes	Refrisol 1400, Beton 770
	Castable mix for working lining	Beton 88, 86B, 770
	Cement for sticking insulating material	Refracol 12 A
4 Lower support ring	Castable mixes for the bottom under crucible	Beton 88, 96
	Precast monolithic lower ring	In Refravibre 465 RTC, 483 RTC
5 Upper ring	High alumina ramming mix for blocking crucible	PR 290, Refram 492
	Plastic mixes for blocking crucible	Beton 86 B/P, 98 P, 940
	Castable mixes for blocking crucible	Refravibre 461 RTC

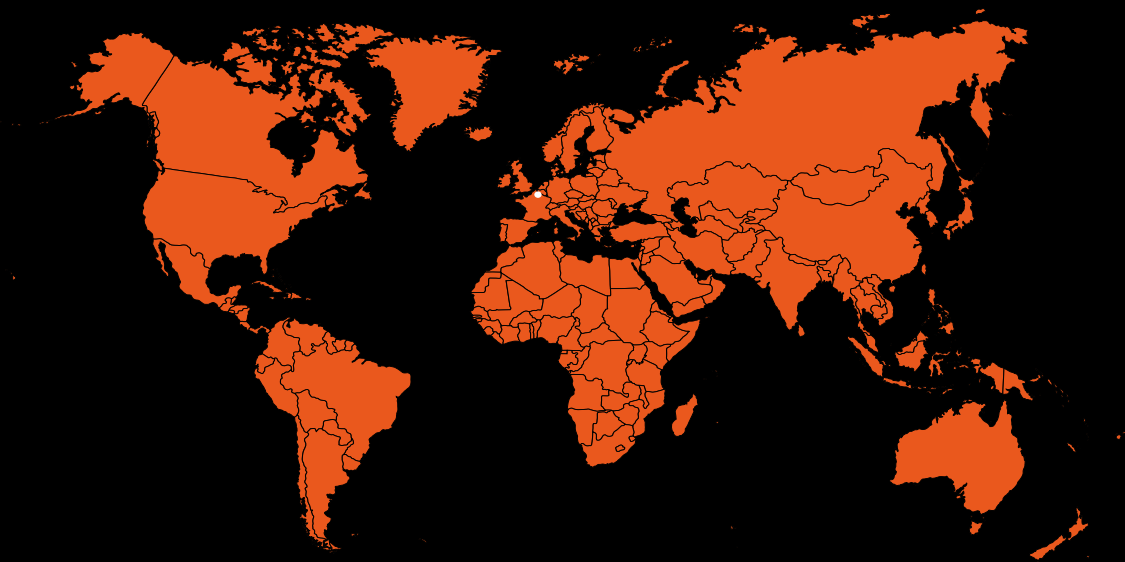




Our other markets

Glass industry	Float glass and container glass furnaces. cold and hot sealing cements for walls, jointing cements and patches for crown, casting and ramming mixes for safety layer. Precast burner block, blind block...
Cement industry	Cooler tube, kiln hood, elbow section, nose ring...
Lime kilns	PFR Shaft Kiln, Annular Shaft Kiln...
Heat treatment	Annealing, firing, forge, hardening furnaces. Hearth, roof, arch, burner quarl...
Incineration	Solid, industrial and hospital waste. SiC plate, perforated tile, heater pipe wall lining, suspended roof...
Iron and steel foundries	Crucible ladling, induction and arc furnaces. Casting ladle and casting spout. Nozzle mortar...
Non ferrous industry	Melting, holding and refining furnaces. Runner, filtering box...
Metals recycling industry	Lead recycling furnace, Battery recycling furnace...

A Worldwide Market



© 2025 - www.arthemis.eu | The list of products presented in this document is not exhaustive and may be updated.



REFRACOL DUPONT et Cie

35 rue de la Gare – 59770 MARLY – France
 W : www.refracol.com – M : contact@refracol.com – T : +33 (0)3 27 46 37 76

